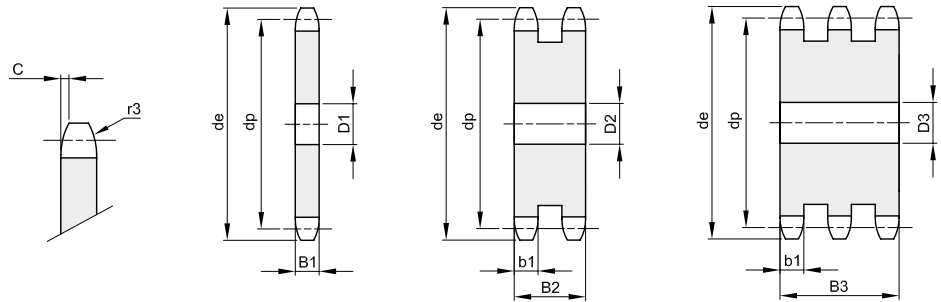


1" x 17,02 mm
25,4 x 17,02 mm
 Rollen Ø 15,88 mm
16B – 1 – 2 – 3

| B1 | B2 | B3 | b1 | C | r3 |
|------|------|------|------|-----|----|
| 16,2 | 47,7 | 79,6 | 15,8 | 2,5 | 26 |



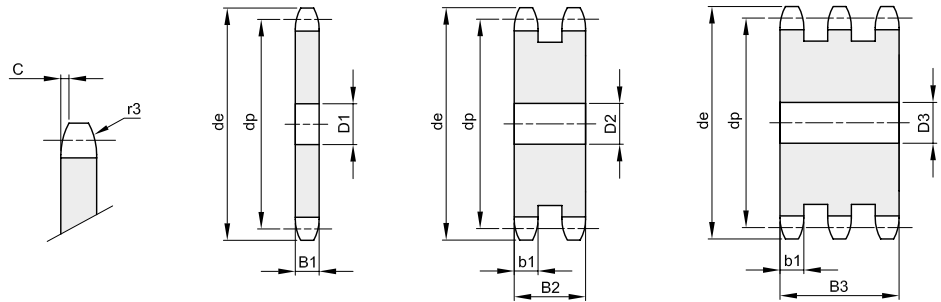
| Z | de | dp | einfach | | | zweifach | | | dreifach | | |
|----|-------|--------|------------|----|-------|------------|----|-------|------------|----|-------|
| | | | Artikelnr. | D1 | kg | Artikelnr. | D2 | kg | Artikelnr. | D3 | kg |
| 8 | 77,9 | 66,37 | 201380008 | 16 | 0,30 | 202380008 | 16 | 0,71 | 203380008 | 16 | 1,13 |
| 9 | 85,8 | 74,27 | 201380009 | 16 | 0,39 | 202380009 | 16 | 0,97 | 203380009 | 16 | 1,56 |
| 10 | 93,8 | 82,19 | 201380010 | 16 | 0,51 | 202380010 | 16 | 1,27 | 203380010 | 16 | 2,05 |
| 11 | 101,7 | 90,14 | 201380011 | 16 | 0,63 | 202380011 | 20 | 1,57 | 203380011 | 20 | 2,53 |
| 12 | 109,7 | 98,14 | 201380012 | 16 | 0,77 | 202380012 | 20 | 1,94 | 203380012 | 20 | 3,15 |
| 13 | 117,7 | 106,12 | 201380013 | 16 | 0,92 | 202380013 | 20 | 2,36 | 203380013 | 20 | 3,84 |
| 14 | 125,7 | 114,15 | 201380014 | 16 | 1,08 | 202380014 | 20 | 2,81 | 203380014 | 20 | 4,59 |
| 15 | 133,7 | 122,17 | 201380015 | 16 | 1,26 | 202380015 | 20 | 3,31 | 203380015 | 20 | 5,40 |
| 16 | 141,8 | 130,20 | 201380016 | 20 | 1,43 | 202380016 | 20 | 3,84 | 203380016 | 25 | 6,16 |
| 17 | 149,8 | 138,22 | 201380017 | 20 | 1,50 | 202380017 | 20 | 4,41 | 203380017 | 25 | 7,11 |
| 18 | 157,8 | 146,28 | 201380018 | 20 | 1,85 | 202380018 | 20 | 5,01 | 203380018 | 25 | 8,11 |
| 19 | 165,9 | 154,33 | 201380019 | 20 | 2,08 | 202380019 | 20 | 5,66 | 203380019 | 25 | 9,18 |
| 20 | 173,9 | 162,38 | 201380020 | 20 | 2,32 | 202380020 | 20 | 6,34 | 203380020 | 25 | 10,31 |
| 21 | 182,0 | 170,43 | 201380021 | 20 | 2,58 | 202380021 | 25 | 7,00 | 203380021 | 25 | 11,51 |
| 22 | 190,1 | 178,48 | 201380022 | 20 | 2,84 | 202380022 | 25 | 7,76 | 203380022 | 25 | 12,77 |
| 23 | 198,1 | 186,53 | 201380023 | 20 | 3,13 | 202380023 | 25 | 8,56 | 203380023 | 25 | 14,10 |
| 24 | 206,2 | 194,59 | 201380024 | 20 | 3,42 | 202380024 | 25 | 9,40 | 203380024 | 25 | 14,49 |
| 25 | 214,2 | 202,66 | 201380025 | 20 | 3,73 | 202380025 | 25 | 10,28 | 203380025 | 25 | 16,94 |
| 26 | 222,3 | 210,72 | 201380026 | 20 | 4,05 | 202380026 | 25 | 11,20 | 203380026 | 30 | 18,33 |
| 27 | 230,4 | 218,79 | 201380027 | 20 | 4,38 | 202380027 | 25 | 12,15 | 203380027 | 30 | 19,91 |
| 28 | 238,4 | 226,85 | 201380028 | 20 | 4,73 | 202380028 | 25 | 13,14 | 203380028 | 30 | 21,55 |
| 29 | 246,5 | 234,92 | 201380029 | 20 | 5,09 | 202380029 | 25 | 14,17 | 203380029 | 30 | 23,26 |
| 30 | 254,6 | 243,00 | 201380030 | 20 | 5,46 | 202380030 | 25 | 15,24 | 203380030 | 30 | 25,04 |
| 31 | 262,6 | 251,08 | 201380031 | 25 | 5,82 | 202380031 | 25 | 16,35 | 203380031 | 30 | 26,88 |
| 32 | 270,7 | 259,13 | 201380032 | 25 | 6,22 | 202380032 | 25 | 17,50 | 203380032 | 30 | 28,78 |
| 33 | 278,8 | 267,21 | 201380033 | 25 | 6,63 | 202380033 | 25 | 18,68 | 203380033 | 30 | 30,75 |
| 34 | 286,9 | 275,28 | 201380034 | 25 | 7,06 | 202380034 | 25 | 19,90 | 203380034 | 30 | 32,78 |
| 35 | 294,9 | 283,36 | 201380035 | 25 | 7,50 | 202380035 | 25 | 21,16 | 203380035 | 30 | 34,88 |
| 36 | 303,0 | 291,44 | 201380036 | 25 | 7,95 | 202380036 | 25 | 22,46 | 203380036 | 30 | 37,04 |
| 37 | 311,1 | 299,51 | 201380037 | 25 | 8,41 | 202380037 | 25 | 23,80 | | | |
| 38 | 319,2 | 307,59 | 201380038 | 25 | 8,88 | 202380038 | 25 | 25,18 | 203380038 | 30 | 41,56 |
| 39 | 327,2 | 315,67 | 201380039 | 25 | 9,37 | 202380039 | 25 | 26,59 | | | |
| 40 | 335,3 | 323,73 | 201380040 | 25 | 9,88 | 202380040 | 25 | 28,04 | 203380040 | 30 | 46,42 |
| 41 | 345,6 | 331,82 | 201380041 | 25 | 10,39 | | | | | | |
| 42 | 353,7 | 339,90 | 201380042 | 25 | 10,92 | 202380042 | 25 | 31,07 | 203380042 | 30 | 51,34 |
| 43 | 361,7 | 347,98 | 201380043 | 25 | 11,46 | | | | | | |
| 44 | 369,8 | 356,06 | 201380044 | 25 | 12,02 | 202380044 | 25 | 34,24 | 203380044 | 30 | 56,63 |
| 45 | 377,9 | 364,12 | 201380045 | 25 | 12,60 | 202380045 | 25 | 35,89 | 203380045 | 30 | 59,36 |
| 46 | 386,0 | 372,21 | 201380046 | 25 | 13,17 | 202380046 | 25 | 37,56 | 203380046 | 30 | 62,17 |
| 47 | 394,1 | 380,29 | 201380047 | 25 | 13,76 | | | | | | |
| 48 | 402,1 | 388,36 | 201380048 | 25 | 14,37 | 202380048 | 25 | 41,06 | 203380048 | 30 | 67,97 |
| 49 | 410,2 | 396,44 | 201380049 | 25 | 14,99 | | | | | | |
| 50 | 418,3 | 404,52 | 201380050 | 25 | 15,63 | 202380050 | 25 | 44,70 | 203380050 | 30 | 74,01 |



KETTENRADSCHLEIBEN FÜR ROLLENKETTEN – DIN 8187

1" x 17,02 mm
25,4 x 17,02 mm
 Rollen Ø 15,88 mm
16B – 1 – 2 – 3

| B1 | B2 | B3 | b1 | C | r3 |
|------|------|------|------|-----|----|
| 16,2 | 47,7 | 79,6 | 15,8 | 2,5 | 26 |



| Z | de | dp | einfach | | | zweifach | | | dreifach | | |
|-----|--------|---------|------------|----|--------|------------|----|--------|------------|----|--------|
| | | | Artikelnr. | D1 | kg | Artikelnr. | D2 | kg | Artikelnr. | D3 | kg |
| 51 | 426,4 | 412,60 | 201380051 | 30 | 16,25 | | | | | | |
| 52 | 434,5 | 420,67 | 201380052 | 30 | 16,90 | 202380052 | 30 | 48,40 | 203380052 | 40 | 79,98 |
| 53 | 442,5 | 428,75 | 201380053 | 30 | 17,58 | | | | | | |
| 54 | 450,6 | 436,85 | 201380054 | 30 | 18,26 | | | | | | |
| 55 | 458,7 | 444,93 | 201380055 | 30 | 18,96 | 202380055 | 30 | 54,38 | 203380055 | 40 | 89,92 |
| 56 | 466,8 | 453,01 | 201380056 | 30 | 19,67 | 202380056 | 40 | 56,24 | | | |
| 57 | 474,9 | 461,07 | 201380057 | 30 | 20,50 | 202380057 | 40 | 58,35 | 203380057 | 40 | 96,87 |
| 58 | 482,9 | 469,16 | 201380058 | 30 | 21,13 | | | | | | |
| 60 | 499,1 | 485,32 | 201380060 | 30 | 22,65 | 202380060 | 40 | 64,90 | 203380060 | 40 | 107,78 |
| 62 | 515,3 | 501,50 | 201380062 | 30 | 24,22 | 202380062 | 40 | 69,46 | | | |
| 64 | 531,4 | 517,65 | 201380064 | 30 | 25,84 | | | | | | |
| 65 | 539,5 | 525,73 | 201380065 | 30 | 26,67 | 202380065 | 40 | 76,59 | 203380065 | 40 | 127,24 |
| 68 | 563,8 | 549,98 | 201380068 | 30 | 29,23 | 202380068 | 40 | 84,07 | | | |
| 70 | 579,9 | 566,14 | 201380070 | 30 | 31,01 | 202380070 | 40 | 89,24 | 203380070 | 40 | 148,31 |
| 72 | 596,1 | 582,32 | 201380072 | 30 | 32,84 | 202380072 | 40 | 94,60 | 203380072 | 40 | 157,18 |
| 75 | 620,3 | 606,55 | 201380075 | 30 | 35,68 | 202380075 | 40 | 102,85 | | | |
| 76 | 628,4 | 614,65 | 201380076 | 30 | 36,65 | 202380076 | 40 | 105,69 | 203380076 | 40 | 175,70 |
| 78 | 644,6 | 630,80 | 201380078 | 30 | 38,64 | | | | | | |
| 80 | 660,7 | 646,96 | 201380080 | 30 | 40,68 | 202380080 | 40 | 117,43 | 203380080 | 40 | 195,25 |
| 85 | 701,2 | 687,40 | 201380085 | 30 | 46,00 | 202380085 | 40 | 132,96 | 203380085 | 40 | 221,13 |
| 90 | 741,6 | 727,81 | 201380090 | 30 | 51,65 | 202380090 | 40 | 149,46 | 203380090 | 40 | 248,61 |
| 95 | 782,0 | 768,22 | 201380095 | 30 | 57,62 | 202380095 | 40 | 166,91 | 203380095 | 40 | 277,70 |
| 100 | 822,4 | 808,63 | 201380100 | 30 | 63,62 | 202380100 | 40 | 181,33 | | | |
| 110 | 903,3 | 889,48 | 201380110 | 30 | 77,50 | | | | | | |
| 114 | 935,6 | 921,82 | 201380114 | 30 | 83,31 | 202380114 | 40 | 242,01 | 203380114 | 40 | 402,85 |
| 120 | 984,1 | 970,33 | 201380120 | 30 | 92,40 | | | | | | |
| 125 | 1024,5 | 1010,73 | 201380125 | 30 | 100,33 | 202380125 | 40 | 291,84 | 203380125 | 40 | 485,90 |