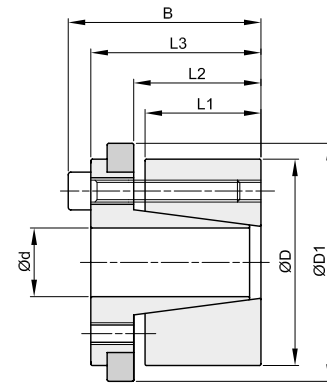
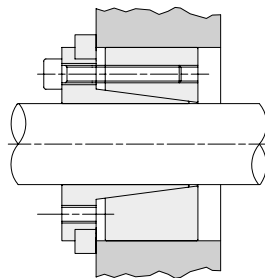


Selbstzentrierend

Für sehr hohe Drehmomente geeignet
 Toleranzen: Welle h8 – Nabe H8
 Oberflächenrauigkeit: R_t max 16 μ m
 Rundlauffehler: 0,02 mm \div 0,04 mm
 Kurze Einbauzeit



| d x D mm | Artikelnr. | L1 mm | L2 mm | L3 mm | B mm | D1 mm | Übertragbares | Flächenpressung zw. Spannsatz und | | Spannschrauben | | | kg | |
|-------------|-------------|----------|----------|----------|---------|----------|---------------|--------------------------------------|-------------------------|-------------------------|-------------------|--------|----------|------|
| | | | | | | | Drehmoment | Welle | Nabe | DIN 912 12,9 | Anzugs- moment | | | |
| | | | | | | | Mt Nm | F ax. KN | pw N/mm ² | pn N/mm ² | Nr. | Typ | Ms Nm | |
| 19 x 47 | BK071019047 | 26 | 31 | 39 | 45 | 53 | 202 | 21 | 127 | 51 | 4 | M6x20 | 17 | 0,45 |
| 20 x 47 | BK071020047 | 26 | 31 | 39 | 45 | 53 | 213 | 21 | 121 | 51 | 4 | M6x20 | 17 | 0,46 |
| 22 x 47 | BK071022047 | 26 | 31 | 39 | 45 | 53 | 234 | 21 | 110 | 51 | 4 | M6x20 | 17 | 0,50 |
| 24 x 50 | BK071024050 | 26 | 31 | 39 | 45 | 56 | 384 | 32 | 151 | 73 | 6 | M6x20 | 17 | 0,50 |
| 25 x 50 | BK071025050 | 26 | 31 | 39 | 45 | 56 | 400 | 32 | 145 | 73 | 6 | M6x20 | 17 | 0,50 |
| 28 x 55 | BK071028055 | 26 | 31 | 39 | 45 | 61 | 448 | 32 | 129 | 66 | 6 | M6x20 | 17 | 0,60 |
| 30 x 55 | BK071030055 | 26 | 31 | 39 | 45 | 61 | 480 | 32 | 121 | 66 | 6 | M6x20 | 17 | 0,60 |
| 32 x 60 | BK071032060 | 26 | 31 | 39 | 45 | 66 | 683 | 43 | 151 | 81 | 8 | M6x20 | 17 | 0,70 |
| 35 x 60 | BK071035060 | 26 | 31 | 39 | 45 | 66 | 747 | 43 | 138 | 81 | 8 | M6x20 | 17 | 0,60 |
| 38 x 65 | BK071038065 | 26 | 31 | 39 | 45 | 71 | 811 | 43 | 127 | 74 | 8 | M6x20 | 17 | 0,80 |
| 40 x 65 | BK071040065 | 26 | 31 | 39 | 45 | 71 | 853 | 43 | 121 | 74 | 8 | M6x20 | 17 | 0,60 |
| 42 x 75 | BK071042075 | 30 | 36 | 47 | 55 | 81 | 1216 | 58 | 135 | 76 | 6 | M8x30 | 41 | 1,20 |
| 45 x 75 | BK071045075 | 30 | 36 | 47 | 55 | 81 | 1302 | 58 | 126 | 76 | 6 | M8x30 | 41 | 1,10 |
| 48 x 80 | BK071048080 | 30 | 36 | 47 | 55 | 86 | 1389 | 58 | 119 | 71 | 6 | M8x30 | 41 | 1,30 |
| 50 x 80 | BK071050080 | 30 | 36 | 47 | 55 | 86 | 1447 | 58 | 114 | 71 | 6 | M8x30 | 41 | 1,10 |
| 55 x 85 | BK071055085 | 30 | 36 | 47 | 55 | 91 | 2124 | 77 | 138 | 89 | 8 | M8x30 | 41 | 1,20 |
| 60 x 90 | BK071060090 | 30 | 36 | 47 | 55 | 96 | 2317 | 77 | 127 | 84 | 8 | M8x30 | 41 | 1,15 |
| 65 x 95 | BK071065095 | 30 | 36 | 47 | 55 | 101 | 2510 | 77 | 117 | 80 | 8 | M8x30 | 41 | 1,40 |
| 70 x 110 | BK071070110 | 40 | 46 | 57 | 67 | 116 | 4381 | 125 | 132 | 84 | 8 | M10x35 | 83 | 2,50 |
| 75 x 115 | BK071075115 | 40 | 46 | 62 | 72 | 121 | 4694 | 125 | 123 | 80 | 8 | M10x35 | 83 | 2,60 |
| 80 x 120 | BK071080120 | 40 | 46 | 62 | 72 | 126 | 5007 | 125 | 115 | 77 | 8 | M10x35 | 83 | 2,80 |
| 85 x 125 | BK071085125 | 40 | 46 | 62 | 72 | 131 | 6651 | 156 | 136 | 92 | 10 | M10x35 | 83 | 2,80 |
| 90 x 130 | BK071090130 | 40 | 46 | 62 | 72 | 136 | 7042 | 156 | 128 | 89 | 10 | M10x35 | 83 | 3,00 |
| 95 x 135 | BK071095135 | 40 | 46 | 62 | 72 | 141 | 7433 | 156 | 121 | 85 | 10 | M10x35 | 83 | 3,00 |
| 100 x 145 | BK071100145 | 46 | 52 | 77 | 89 | 151 | 9104 | 182 | 117 | 81 | 8 | M12x45 | 145 | 5,50 |
| 110 x 155 | BK071110155 | 46 | 52 | 77 | 89 | 161 | 10015 | 182 | 106 | 75 | 8 | M12x45 | 145 | 4,80 |
| 120 x 165 | BK071120165 | 46 | 52 | 77 | 89 | 171 | 13653 | 228 | 122 | 88 | 10 | M12x45 | 145 | 5,50 |
| 130 x 180 | BK071130180 | 46 | 52 | 77 | 89 | 186 | 17747 | 273 | 135 | 97 | 12 | M12x45 | 145 | 6,00 |
| 140 x 190 | BK071140190 | 51 | 59 | 84 | 98 | 196 | 17328 | 248 | 102 | 75 | 8 | M14x45 | 230 | 7,50 |
| 150 x 200 | BK071150200 | 51 | 59 | 84 | 98 | 206 | 23207 | 309 | 119 | 89 | 10 | M14x45 | 230 | 7,70 |
| 160 x 210 | BK071160210 | 51 | 59 | 84 | 98 | 216 | 24754 | 309 | 112 | 85 | 10 | M14x45 | 230 | 8,00 |
| 170 x 225 | BK071170225 | 51 | 59 | 84 | 98 | 231 | 31561 | 371 | 126 | 95 | 12 | M14x45 | 230 | 9,80 |
| 180 x 235 | BK071180235 | 51 | 59 | 84 | 98 | 241 | 33417 | 371 | 119 | 91 | 12 | M14x45 | 230 | 9,80 |